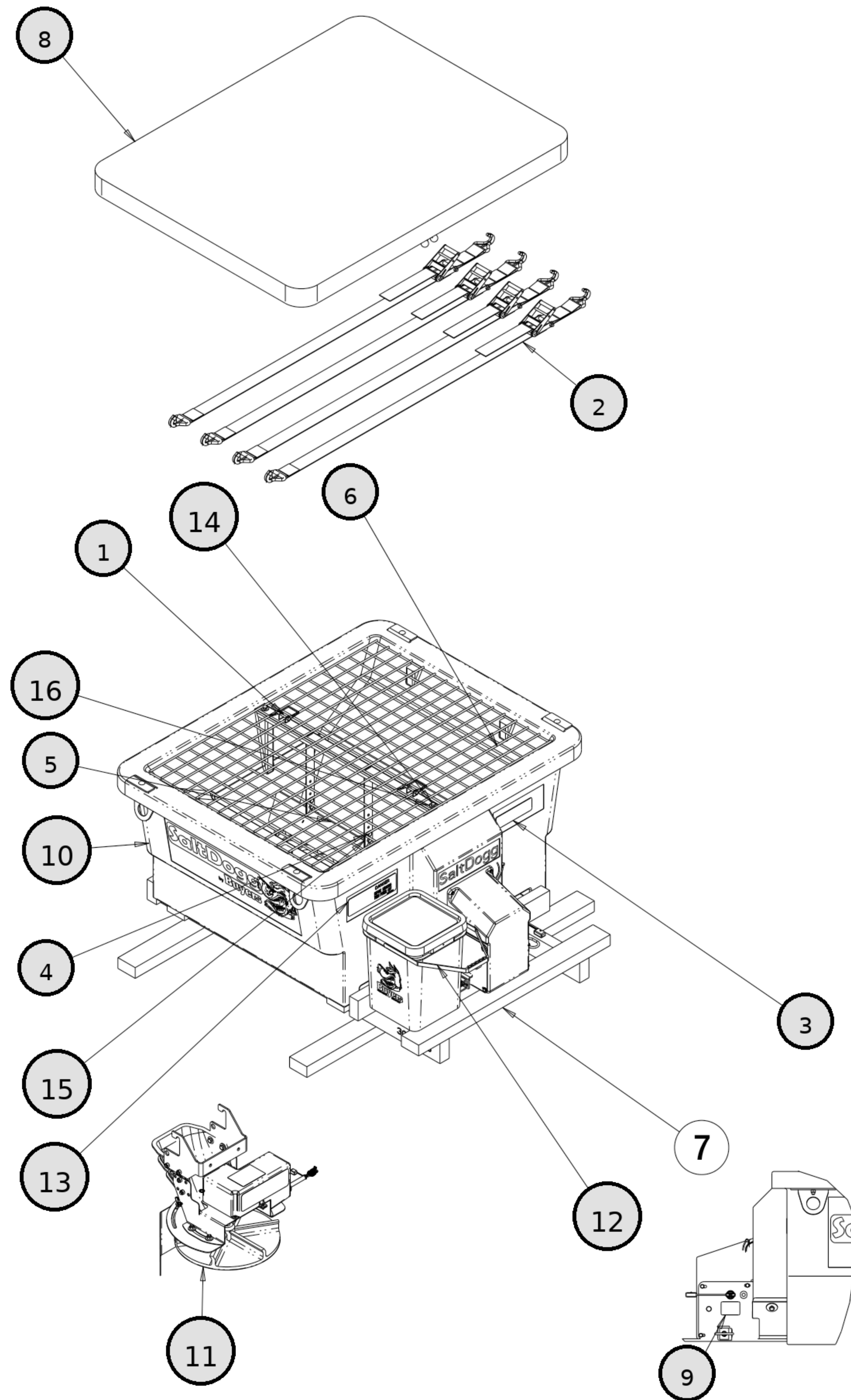




SHPE SERIES POLY SPREADERS

FIGURE LIST

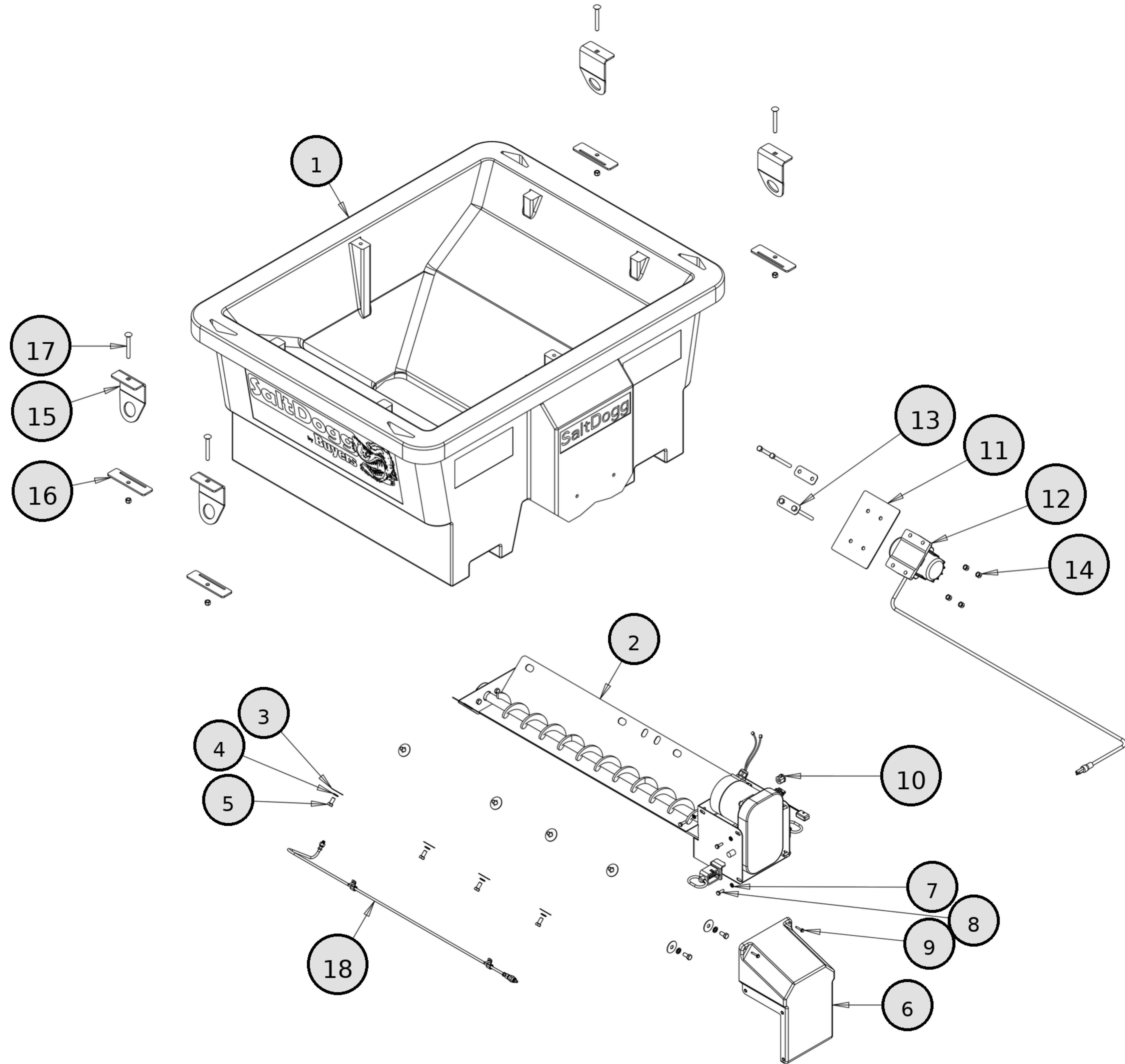
Page	Description
1	SHPE0400 MAIN ASSEMBLY
2	SHPE0400 HOPPER ASSEMBLY
3	SHPE0750 MAIN ASSEMBLY
4	SHPE0750 HOPPER ASSEMBLY
5	SHPE1000 MAIN ASSEMBLY
6	SHPE1000 HOPPER ASSEMBLY
7	SHPE1500 MAIN ASSEMBLY
8	SHPE1500 MAIN ASSEMBLY
9	SHPE1500 HOPPER ASSEMBLY
10	SHPE1500 HOPPER ASSEMBLY (OLD DESIGN)
11	SHPE2000 MAIN ASSEMBLY
12	SHPE2000 HOPPER ASSEMBLY
13	SHPE2000 MAIN ASSEMBLY (OLD DESIGN)
14	SHPE2000 HOPPER ASSEMBLY (OLD DESIGN)
15	SHPE2000 SHPE1500 SHPE1000 SHPE0750 SHPE0400 TROUGH ASSEMBLY
16	SHPE2000 SHPE1500 SHPE1000 SHPE0750 SHPE0400 CHUTE ASSEMBLY
17	SHPE2000 SHPE1500 SHPE1000 SHPE0750 SHPE0400 SHPE CONTROL WIRING
18	SHPE2000 SHPE1500 SHPE1000 SHPE0750 CHUTE ASSEMBLY, PRE-2014



REF	PN	DESCRIPTION
1	66050	SNAPPER PIN, 1/4X2, YLW Z1NC
2	1496505	HOLD DOWN KIT, SPREADER (4 STRAPS)
3	3012898	DECAL, CHECK STRAPS
4	3027425	MOUNT, INVERTED VEE
5	3027428	INVERTED VEE, WELDMENT
6	3027429	SCREEN
8	3028476	TARP, SHPE0400
9	3035854	LABEL PATENT
10	3058275	HOPPER ASSEMBLY SHPE0400
11	3058277	CHUTE ASSEMBLY. SHPE0400
12	3058278	HARDWARE BOX SHPE0400
12A	3006724	WIRE HARNESS, MAIN, SHPE
12B	3014199	CONTROLLER, SHPE
12C	3035936	POWER CABLE HARNESS W/BREAKER AND BATTERY CABLE
13	9240132	DECAL #2, DANGER BEEORE SVCE
14	FCS038016075SS	SCREW, HHC-3/8- 1 6 X 3/4 SST
15	FNE038016044SS	NUT, NYLOCK, 3/8- 16, SST WAX
16	FWF038100007SS	WASHER, FLAT 3/8 USS SST

MAIN ASSEMBLY

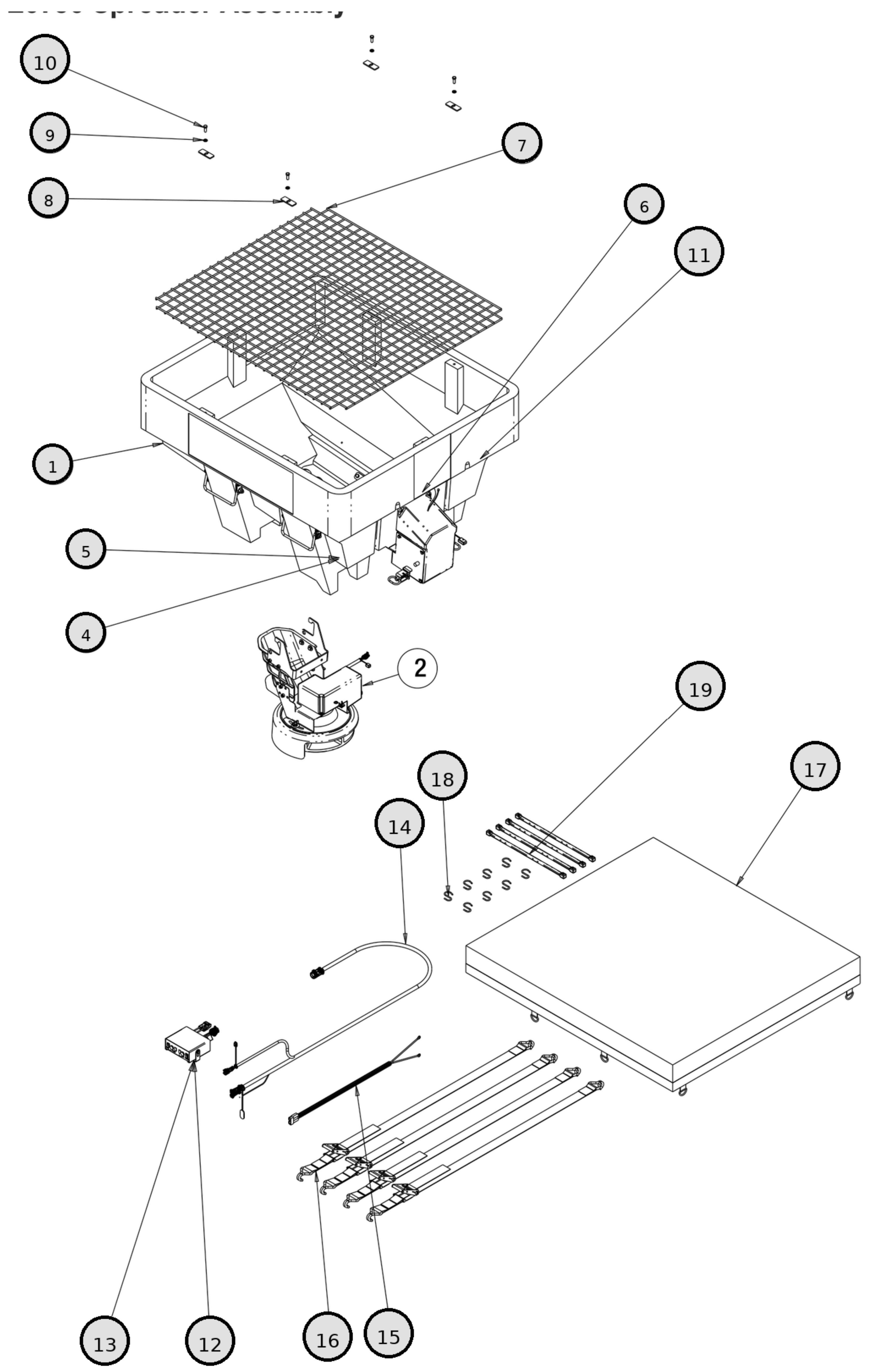
SHPE0400



REF	PN	DESCRIPTION
1	3058276	HOPPER POLY 06 CU YD
2	3024289	TROUGH ASSEMBLY, SHPE
3	3007115	WASHER, FLAT 3/8 X 1.5 X.048 SST
4	FWL038069009SS	WASHER, LOCK RHS-3/8 SST
5	FCS038016075SS	SCREW, HHC-3/8-16 X 3/4 SST
6	3007236	COVER GEARMOTOR
7	FWL025050006SS	WASHER, 1/4 IN. SPRING LOCK SST
8	FCS025020075SS	SCREW, CAP 1/4-20 X 3/4 SST
9	3007522	SCREW, SHEET MTL #12X1.0 HEX WASHER
10	3007821	HD SST
11	3016775	STRAIN RELIEF BUSHING
12	3007416	PLATE, VIBRATOR KIT SST
13	3024288	VIBRATOR 200 LBS 12 VDC
14	FNE038016044SS	RETAINER VIBRATOR
15	3027421	NUT, NYLOCK, 3/8-16, SST WAX
16	3027422	TIE DOWN
17	3017028	RETAINER, TIE-DOWN
18	3050476	BOLT, CRG, 3/8-16X3.25 SST

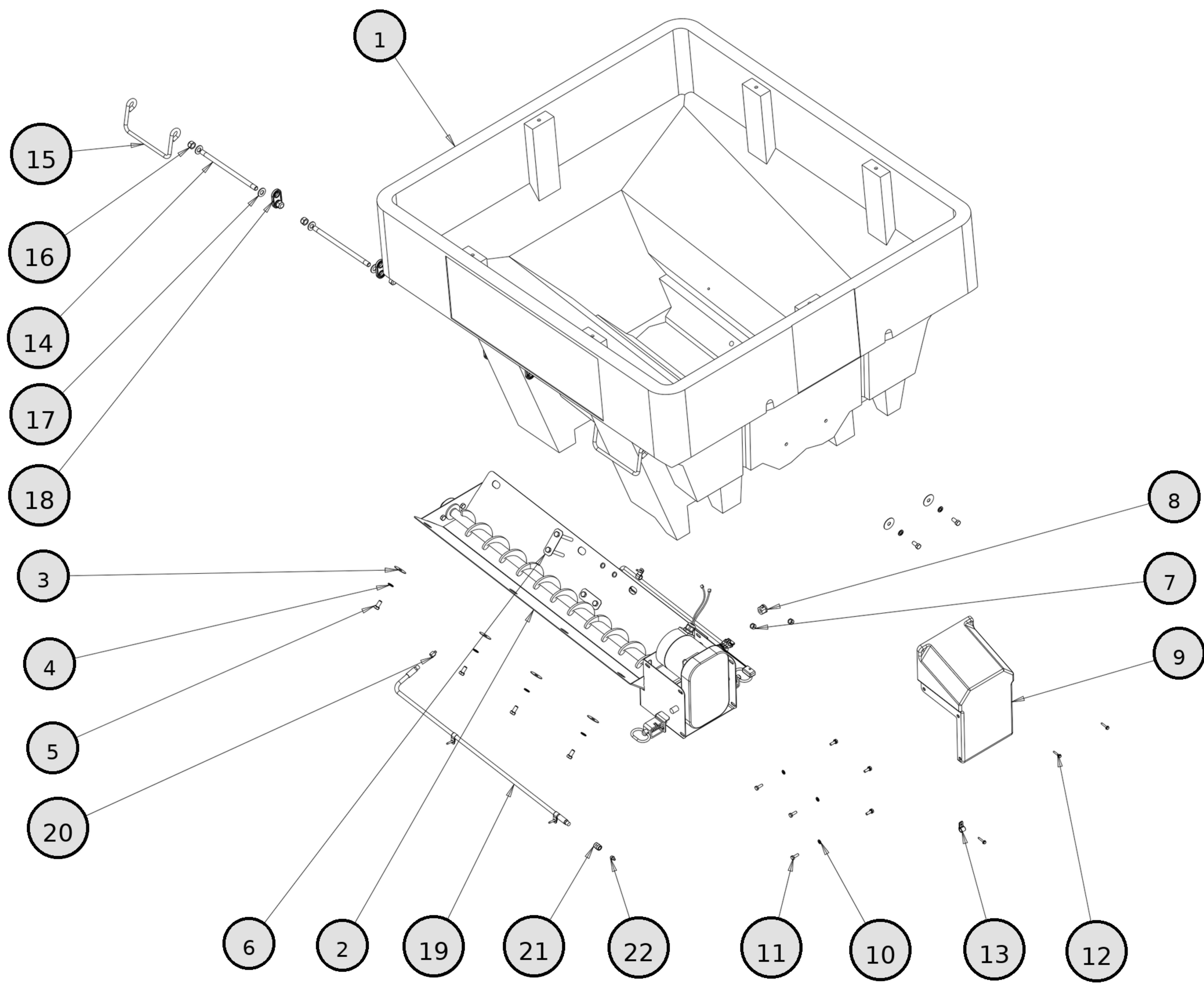
HOPPER ASSEMBLY

SHPE0400

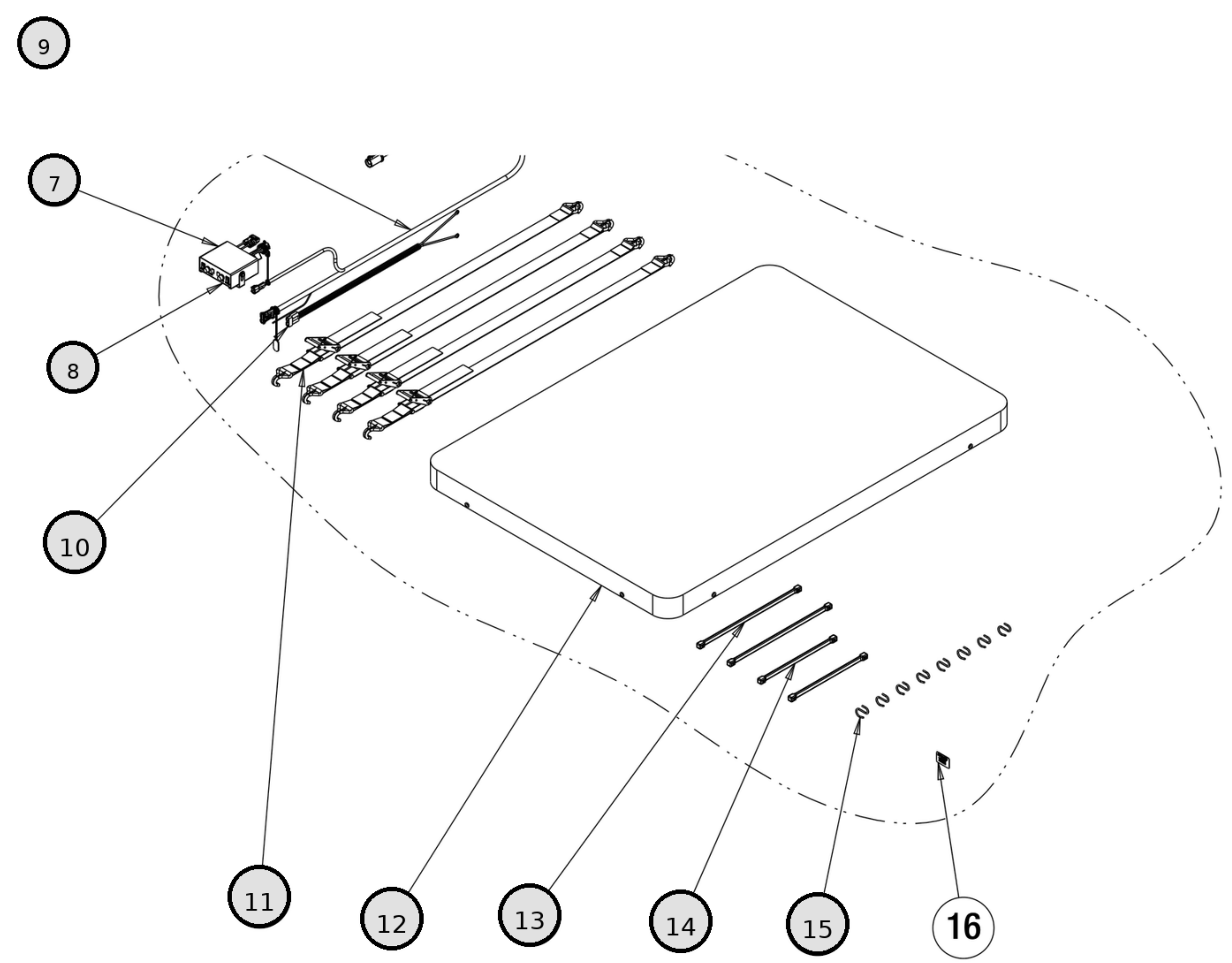


REF	PN	DESCRIPTION
1	3011878	HOPPER ASSEMBLY, SHPE0750
2	3025070	CHUTE ASSEMBLY. STD LENGTH
4	3011382	PLATE, SERIAL NO. SHPE0750 SERIES
5	3007522	SCREW, SHEET MTL #12X1.0 HEX WASHER
6	9240132	HD SST
7	3011727	DECAL #2, DANGER BEFORE SVCE
8	3008787	SCREEN, FLAT SHPE0750
9	FWL038069009SS	RETAINER, SCREEN
10	FCS038016100SS	WASHER, LOCK RHS-3/8 SST
11	3012898	SCREW, HHC 3/8-16 X 1 304 SST
12	3028178	DECAL, CHECK STRAPS
13	3014199	HARDWARE KIT SHPE0750, SHPE0750X
14	3006724	CONTROLLER, SHPE, SALT DOGG
15	3035933	WIRE HARNESS, MAIN
16	1496505	POWER CABLE, CONTROL BOX
17	3011370	HOLD DOWN KIT, SPREADER (4 STRAPS)
18	9225	TARP SHPE0750
19	TS20	S-HOOK, 2.5" ZN, TARP STRAP

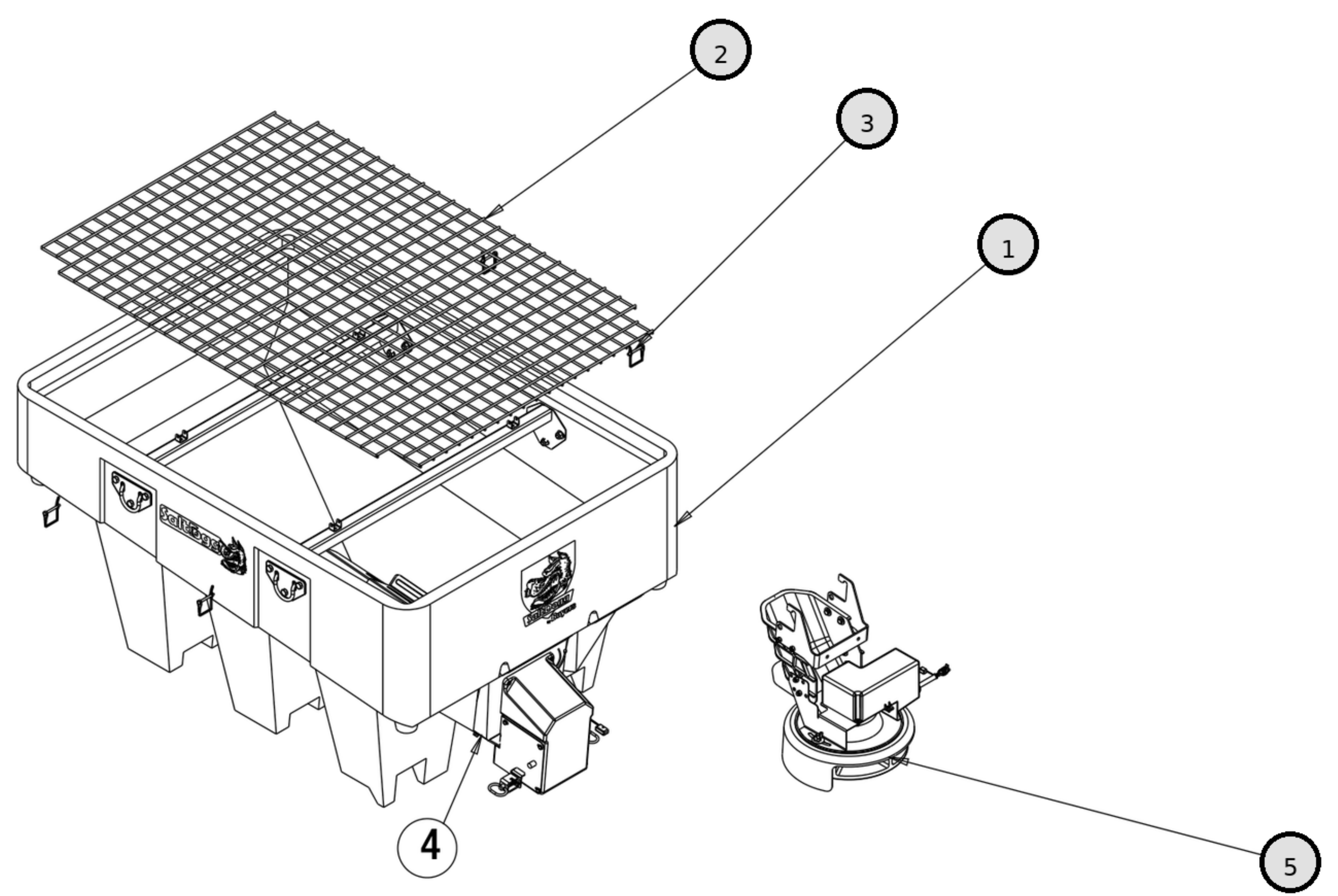
MAIN ASSEMBLY
SHPE0750



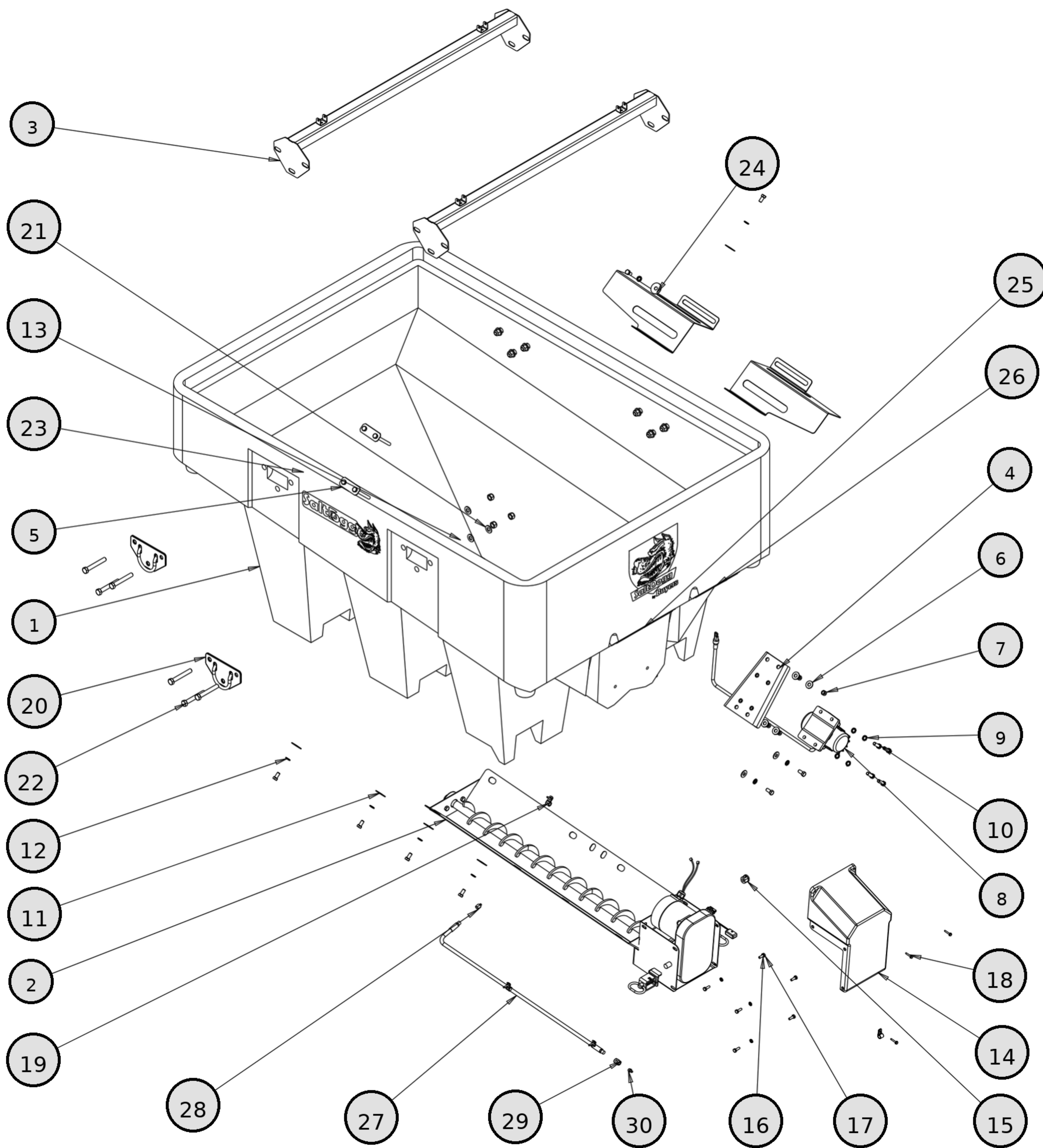
REF	PN	DESCRIPTION
-	3011878	HOPPER ASSEMBLY, SHPE0750
1	3011360	HOPPER POLY SHPE0750
2	3011865	TROUGH ASSEMBLY, SHPE
3	3007115	WASHER, FLAT 3/8 X 1.5 X.048 SST
4	FWL038069009SS	WASHER, LOCK RHS-3/8 SST
5	FCS038016075SS	SCREW, HHC-3/8-16 X 3/4 SST
6	3007731	BRACKET VIBRATOR, LONG SST
7	FNE038016044SS	NUT, NYLOCK 3/8-16 X 7/16 SST
8	3007821	STRAIN RELIEF BUSHING
9	3007236	COVER GEARMOTOR
10	FWL025050006SS	WASHER, 1/4 IN. SPRING LOCK SST
11	FCS025020075SS	SCREW, CAP 1/4-20 X 3/4 SST
12	3007522	SCREW, SHEET MTL #12X1.0 HEX WASHER HD SST
13	4375	CLAMP, HOSE .4375, 9/32 HOLE
14	3006974	STUD, 1/2-13X.75 BOTH ENDS, 9.75" LG, ZC
15	3006958	TIE DOWN
16	FNE050013053	NUT, NYLOCK 1/2-13 ZINC
17	FWF050106010	WASHER, FLAT 1/2" SAE ZINC
18	3009802	ANCHOR, TARP, POLY SHPE
19	3022955	HOSEGREASE, 1/8 NPT, 36 IN LONG
20	3020713	CONNECTOR, MALE, FEMALE
21	H3309X2	CONNECTOR, FEM NPT TO FEM NPT 1/8 X 1/8
22	800	GREASE FITTING, 1/4 STD



REF	PN	DESCRIPTION
1	3022974	HOPPER ASSY 1 CU YA
2	3022978	SCREEN SHPE1000
3	66050	SNAPPER PIN, 1/4 X 2, YLW ZINC
4	3022980	LABEL SERIAL NUMBER SHPE1000
5	3025070	CUTE ASSEMBLY. STD LENGTH
7	3027463	HARDWARE KIT SHPE1000
8	3014199	CONTROLLER, SHPE, SALT DOGG
9	3006724	WIRE HARNESS, MAIN
10	3035933	POWER CABLE, CONTROL BOX
11	1496505	HOLD DOWN KIT, SPREADER (4 STRAPS)
12	3022979	TARP SHPE1000
13	TS20	STRAP, RUBBER TARP 20" (27" MAX)
14	TS15	STRAP, RUBBER TARP 15" (22" MAX)
15	9225	S-HOOK, 2.5" ZN, TARP STRAP



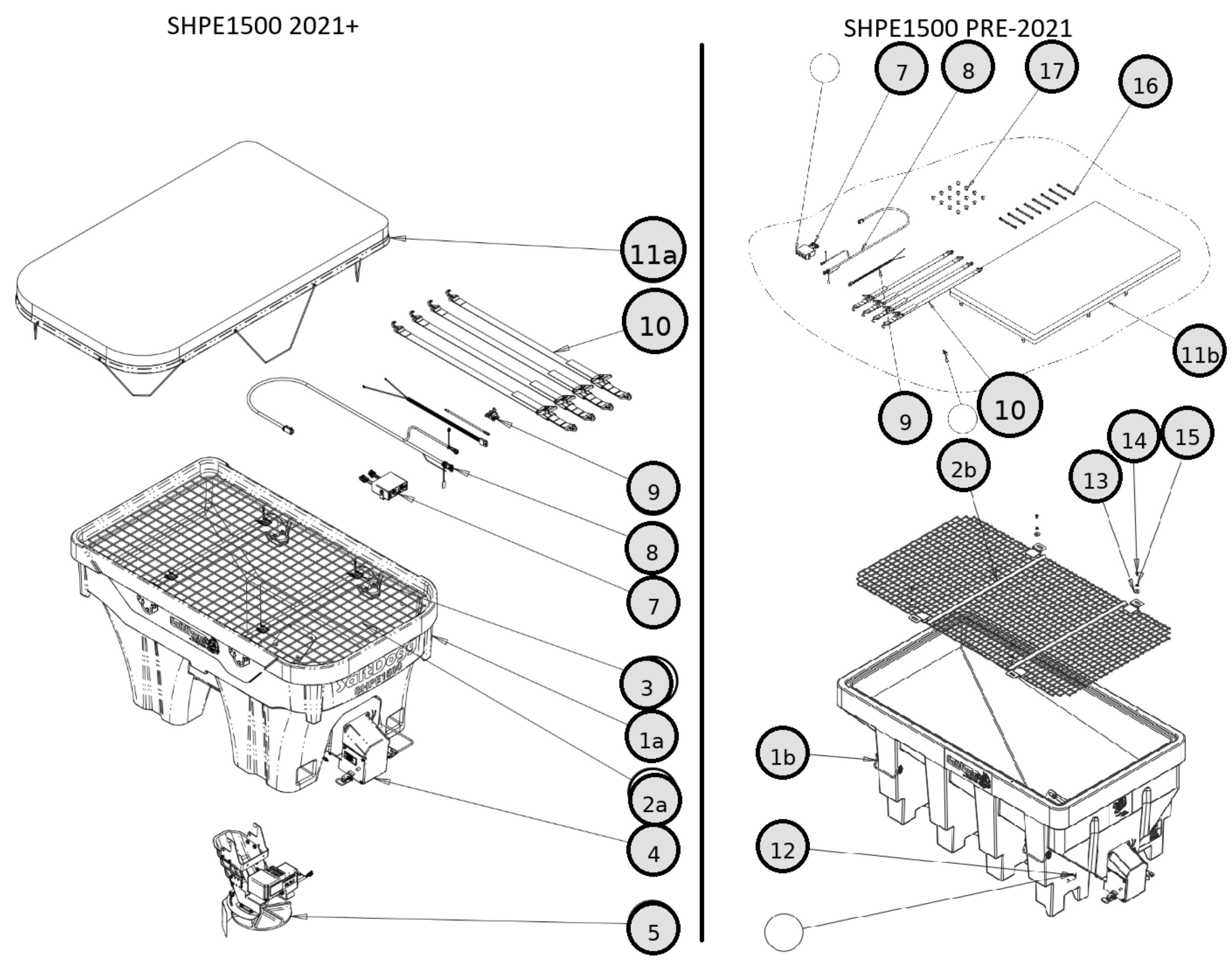
MAIN ASSEMBLY
SHPE1000



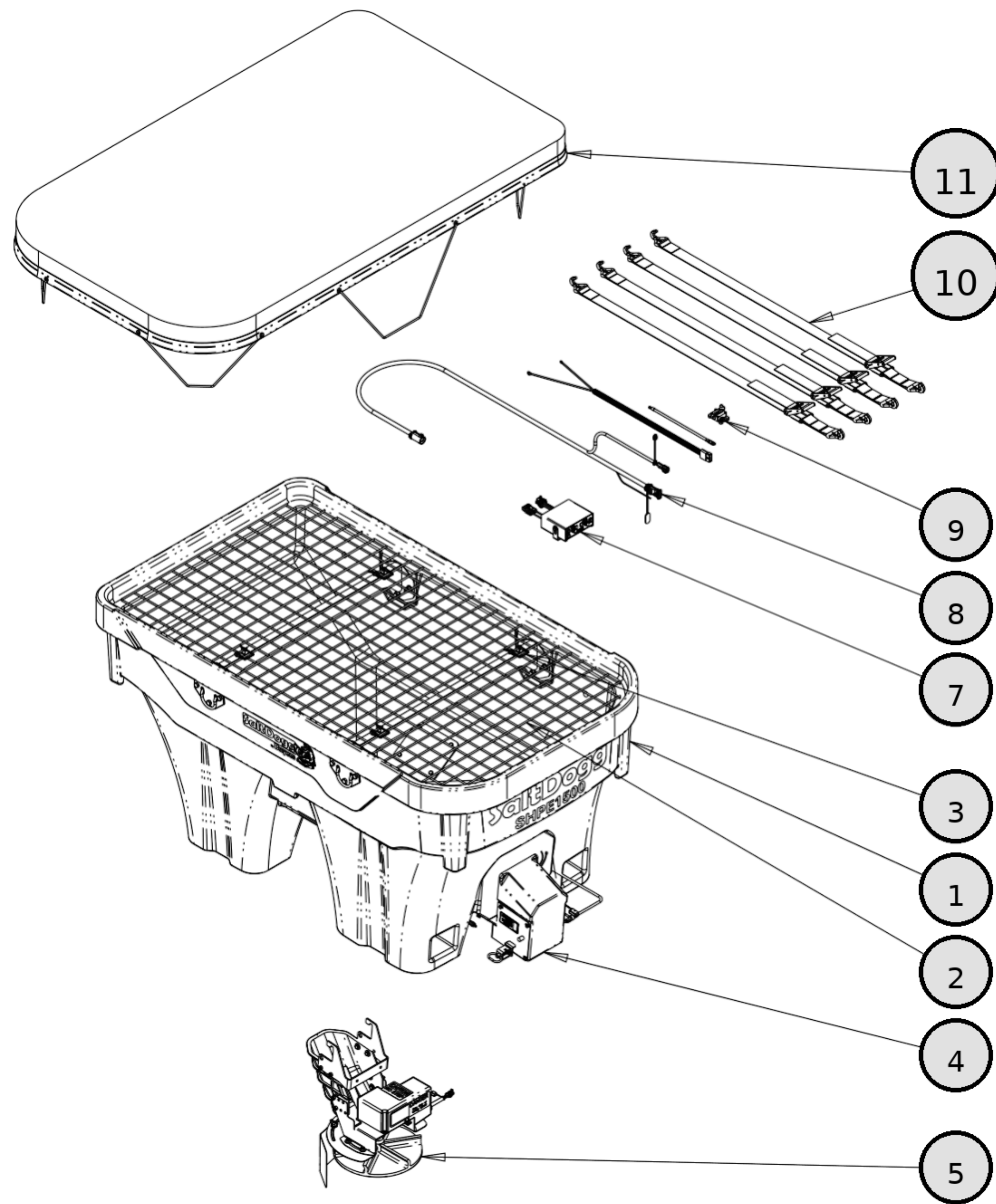
REF	PN	DESCRIPTION
1	3022973	11
2	3024289	HOPPER POLY 1 CU YA
3	3022230	TROUGH ASSEMBLY, SHPE
4	3022976	CROSS MEMBER
5	3024288	BRACKET VIBRATOR, WELDMENT
6	FWF038100007SS	RETAINER VIBRATOR
7	FNE038016044SS	WASHER, FLAT 3/8 USS SST
8	3007416	NUT, NYLOCK 3/8-16 X 7/16 SST
9	3017356	VIBRATOR 200 LBS 12 VDC
10	FCS038016125SS	WASHER, EXTERNAL TOOTH LOCK 3/8 SS
11	3007115	SCREW, HHC-3/8-16 X 1.25 SST
12	FWL038069009SS	WASHER, FLAT 3/8 X 1.5 X.048 SST
13	FCS038016075SS	WASHER, LOCK RHS-3/8 SST
14	3007236	SCREW, HHC-3/8-16 X 3/4 SST
15	3007821	COVER GEARMOTOR
16	FWL025050006SS	STRAIN RELIEF BUSHING
17	FCS025020075SS	WASHER, 1/4 IN. SPRING LOCK SST
18	3007522	SCREW, CAP 1/4-20 X 3/4 SST
19	4375	SCREW, SHEET MTL #12X1.0 HEX WASHER
20	3022220	HD SST
21	FWF050106010	CLAMP, HOSE .4375, 9/32 HOLE
22	3005140	TIE-DOWN WELDMENT
23	FNE050013053	WASHER, FLAT 1/2" SAE ZINC
24	3022977	SCREW, HH1/2-13 X 3.5, GR 5 ZN
25	9240132	NUT, NYLOCK 1/2-13 ZINC
26	3012898	DEFLECTOR
27	3022955	DECAL #2, DANGER BEFORE SVCE
28	3020713	DECAL, CHECK STRAPS
29	H3309X2	HOSEGREASE, 1/8 NPT, 36 IN LONG
30	800	CONNECTOR, MALE, FEMALE

HOPPER ASSEMBLY

SHPE1000



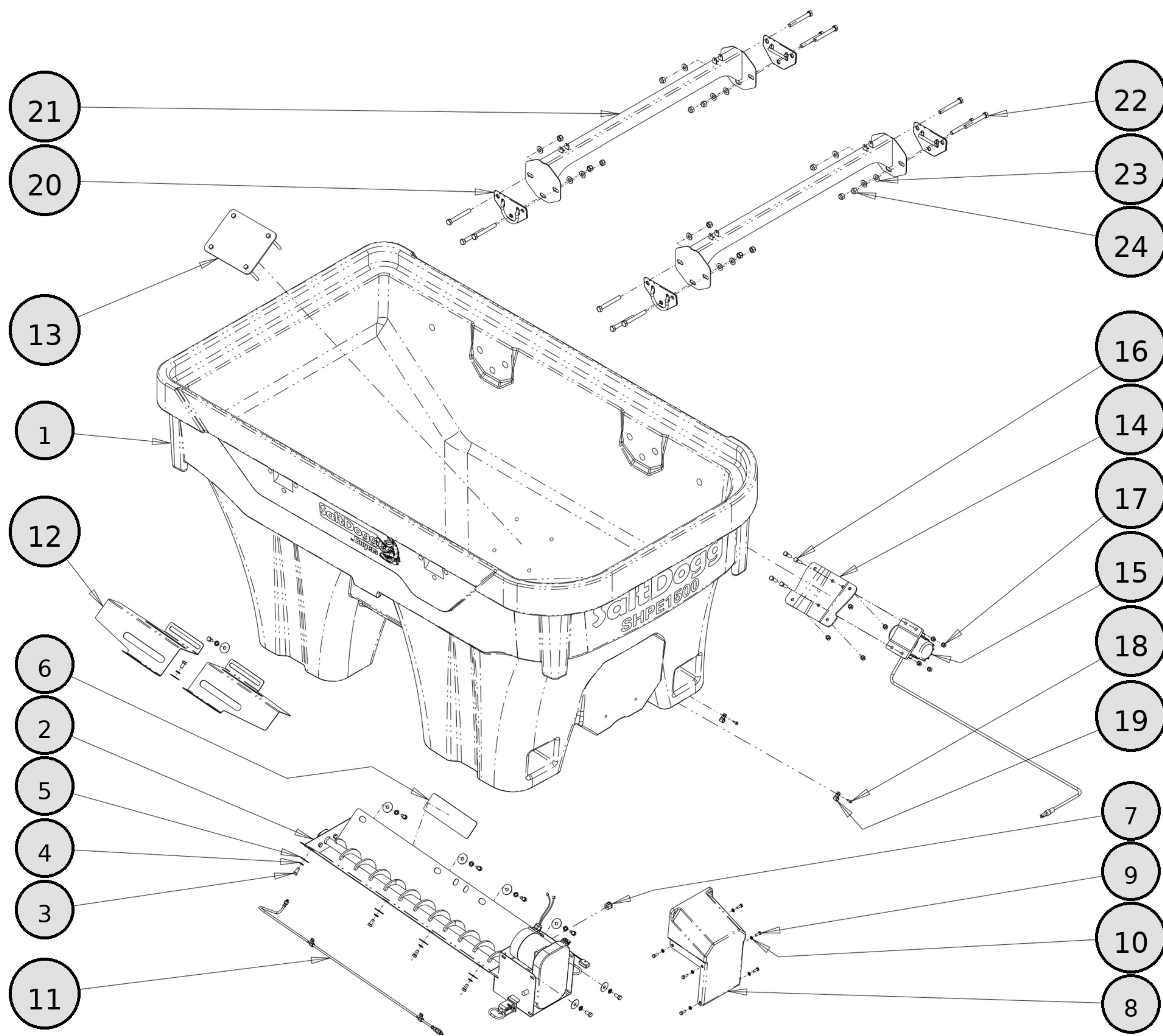
REF	PN	DESCRIPTION
1A	3049412	HOPPER, 2021+ SHPE1500
1B	-	HOPPER, OLD STYLE SHPE1500
2A	3041211	TOP SCREEN
2B	3007039	TOP SCREEN, OLD STYLE W/CROSSBARS
3	66050	SNAPPER PIN, 1/4IN X 2IN ZN
4	3035854	LABEL, PATENT
5	3025070	CHUTE ASSEMBLY, STD LENGTH
7	3014199	CONTROLLER, SHPE SALTDogg
7	3014199	CONTROLLER, SHPE SALTDogg
8	3006724	WIRE HARNESS, MAIN
8	3006724	WIRE HARNESS, MAIN
9	3035936	POWER CABLE KIT
9	3035936	POWER CABLE KIT
10	1496505	HOLD DOWN KIT, SPREADER (4 STRAPS)
10	1496505	HOLD DOWN KIT, SPREADER (4 STRAPS)
11A	3043774	TARP, NEW, ROUNDED CORNERS
11B	3006964	TARP, OLD STYLE, SHARP CORNERS
12	3007522	SHEET METAL SCREW, #12X1.0
13	3007115	FENDER WASHER, SST 3/8X1.5OD
14	3006760	HEX HD CAP SCREW, 3/8-16X1/2 SST
15	FWL038069009SS	WASHER, SPLIT LOCK, 3/8IN, SST
16	TS9	TARP STRAP
17	9225	S-HOOK



REF	PN	DESCRIPTION
1	3049412	HOPPER ASM 1.5 CU YD POLY
2	3041211	TOP SCREEN
3	66050	SNAPPER PIN, 1/4IN X 2IN ZN
4	3035854	LABEL, PATENT
5	3025070	CHUTE ASSEMBLY, STD LENGTH
7-11	3049872	HARDWARE KIT SHPE1500
7	3014199	CONTROLLER, SHPE SALTDogg
8	3006724	WIRE HARNESS, MAIN
9	3035936	POWER CABLE KIT
10	1496505	HOLD DOWN KIT, SPREADER (4 STRAPS)
11	3043774	TARP

MAIN ASSEMBLY

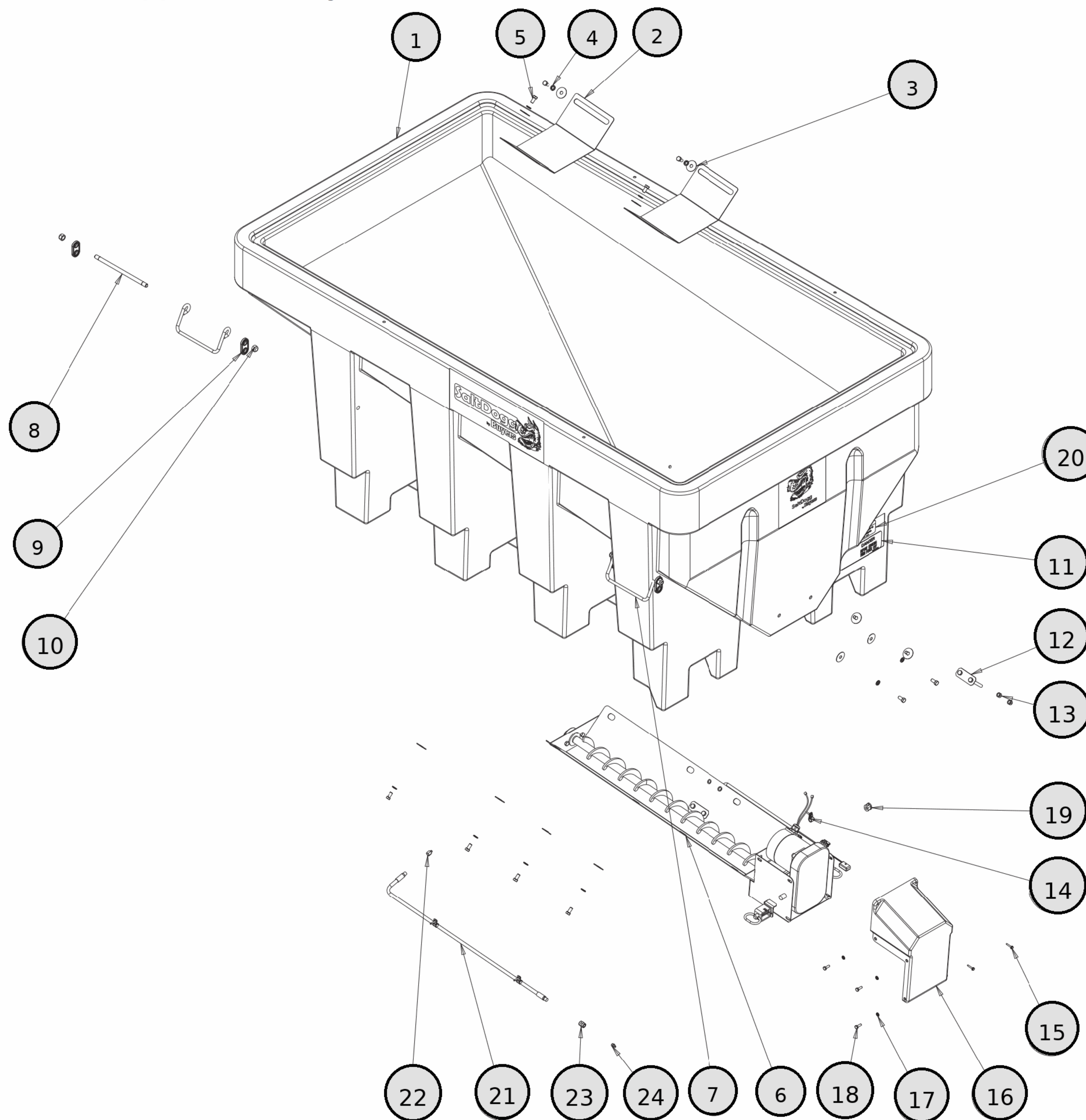
SHPE1500



REF	PN	DESCRIPTION
1	3049411	HOPPER POLY 1.5 CU YD
2	3024289	TROUGH ASSEMBLY, SHPE
3	FCS038016075SS	SCREW, HHC 3/8IN-16 X 3/4IN SST
4	FWL038069009SS	WASHER, SPLIT LOCK 3/8IN SST
5	3007115	WASHER, FENDER 3/8IN SST
6	9240132	DECAL, DANGER BEFORE SERVICE
7	3007821	BUSHING, STRAIN RELIEF
8	3007236	COVER, GEAR MOTOR
9	FCS025020075SS	SCREW, HHC 1/4IN-20 X 3/4IN SST
10	FWL025050006SS	WASHER, SPLIT LOCK 1/4IN SST
11	3050476	REMOTE GREASE KIT, SHPE
12	3022977	DEFLECTOR
13	3034598	PLATE WELDMENT, VIBRATOR
14	3039179	BRACKET, VIBRATOR
15	3007416	VIBRATOR 200 LBS 12 VDC
16	FCS038016125SS	SCREW, HHC 3/8IN-16 X 1-1/4IN SST
17	FNE038016044SS	NUT, NYLOCK 3/8IN-16 X 7/16IN SST
18	3007522	SCREW, HH SHEET MTL #12 X 1 SST
19	4375	CLAMP, HOSE 7/16IN, 9/32IN HOLE
20	3022220	TIE-DOWN WELDMENT
21	3050265	CROSS MEMBER WELDMENT
22	3020338	SCREW, HHC 1/2IN-13 X 4IN SST
23	3003873	WASHER, FLAT 1/2IN SAE SST
24	FNE050013053SSC	NUT, NYLOCK 1/2IN-13 SST CTD

HOPPER ASSEMBLY

SHPE1500

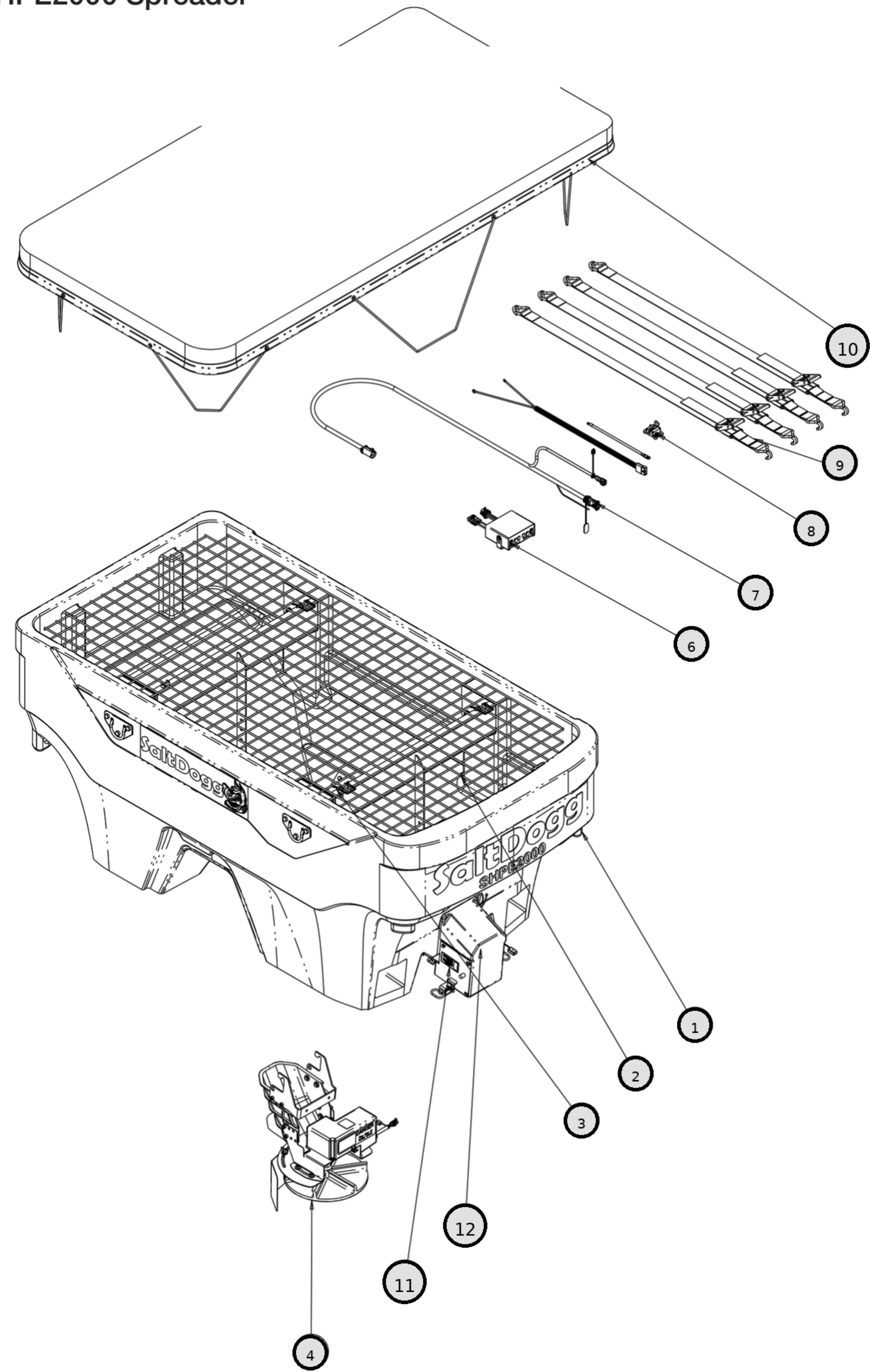


REF	PN	DESCRIPTION
1	3005574	HOPPER,POLY,SHPE1500, 1.5 CUBIC YARDS
2	3006959	BAFFLE,SHPE1500
3	3007115	WASHER,FENDER,3/8IN, 1.5IN OD X .062 SST
4	FWL038069009SS	WASHER,SPLIT LOCK, 3/8IN, SST
5	FCS038016075SS	SCREW,HEX HD CAP 3/8-16X3/4SST
6	3011865	TROUGH, AUGER ASSEMBLY, SHPE
7	3006958	TIE DOWN,SHPE,BLACK POWDER COAT
8	3006974	STUD,1/2-13 X .75 BOTH ENDS,9.75IN LG ZN
9	3009802	ANCHOR, TARP, POLY SHPE
10	FNE050013053	SAM BULK CUTTING EDGE NUTS AND BOLTS TO FIT FISHER® SNOW PLOWS
11	9240132	DECAL #2,DANGER BEFORE SVCE
12	3007731	BRACKET,VIBRATOR LONG SST
13	FNE038016044SS	NUT-NYLOCK, 3/8-16 X 7/16 THK,SST
14	4375	CLAMP,HOSE .4375, 9/32 HOLE
15	3007522	SCREW,SHEET METAL #12 X 1.0IN HEX WASHER
16	3007236	COVER,GEARMOTOR,SHPE
17	FWL025050006SS	WASHER,SPLIT LOCK,1/4IN,SST
18	FCS025020075SS	SCREW,CAP-1/4-20 X 3/4IN,SST
19	3007821	BUSHING, STRAIN RELIEF
20	3012898	DECAL, CHECK STRAPS
21	3022955	HOSE GREASE 1/8 NPT MALE/MALE 36 IN LONG
22	3020713	CONNECTOR, MALE, FEMALE, GREASE
23	H3309X2	COUPLING 1/8 INCH
24	800	NPT GREASE FITTINGS

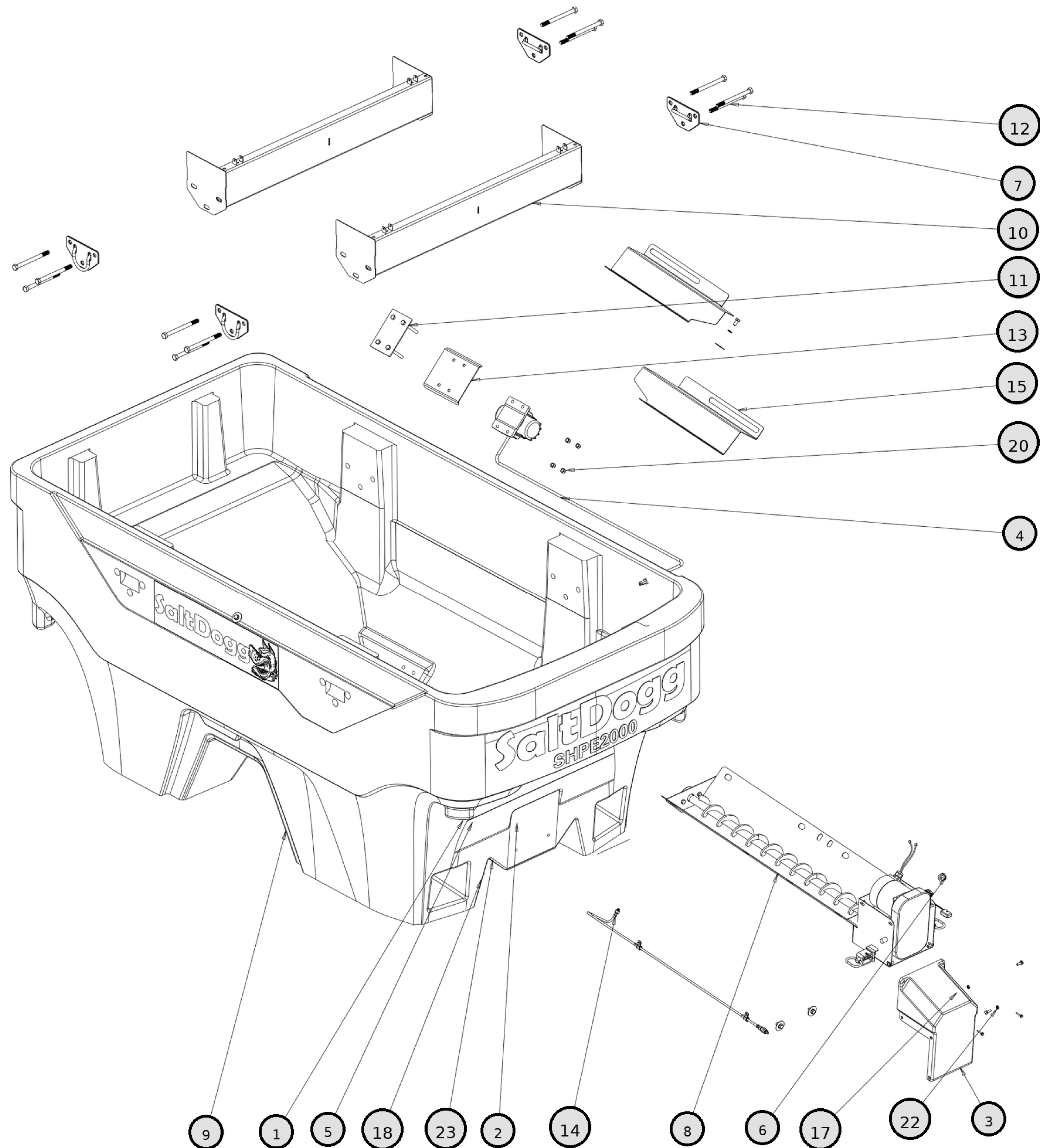
HOPPER ASSEMBLY (OLD DESIGN)

SHPE1500

SHPE2000 Spreader



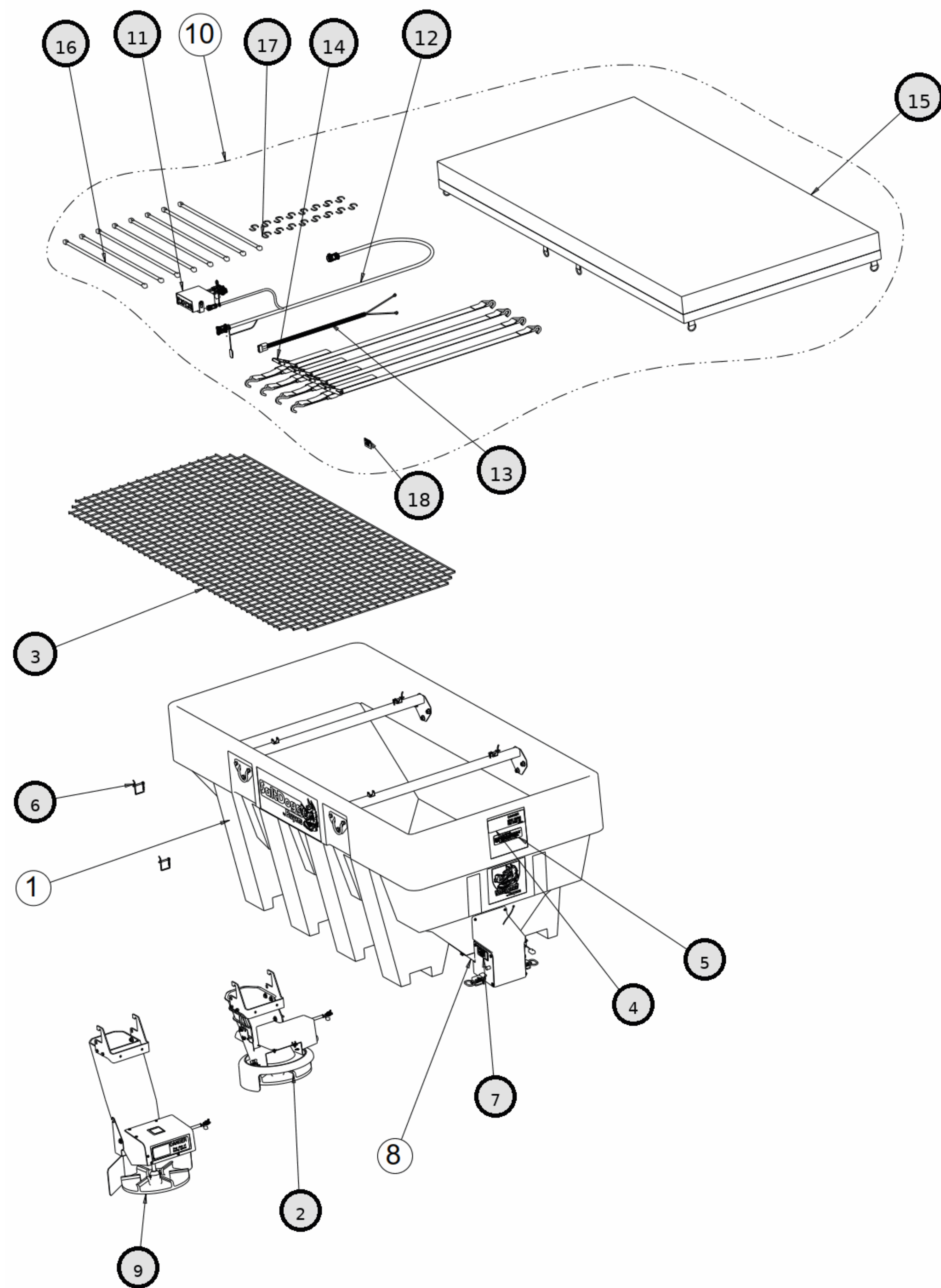
REF	PN	DESCRIPTION
1	3035921	HOPPER ASM. 2 CU YD POLY
2	3034599	TOP SCREEN XD2000
3	66050	SNAPPER PIN, 1/4 X 2, YLW ZINC
4	3025070	CHUTE ASSEMBLY. STD LENGTH
5	3036574	HARDWARE KIT SHPE2000
6	3014199	CONTROLLER, SHPE, SALTDogg
7	3006724	WIRE HARNESS, MAIN
8	3035936	KIT POWER CABLE REPLACES 3006842
9	1496505	HOLD DOWN KIT, SPREADER (4 STRAPS)
10	3035377	TARP
11	3022355	LABEL SERIAL NUMBER SHPE2000
12	3035854	LABEL PATENT



REF	PN	DESCRIPTION
1	4375	CLAMP, HOSE .4375, 9/32 HOLE
2	3007115	WASHER, FLAT 3/8 X 1.5 X.048 SST
3	3007236	COVER GEARMOTOR
4	3007416	VIBRATOR 200 LBS 12 VDC
5	3007522	SCREW, SHEET MTL #12X1.0 HEX WASHER HD SST
6	3007821	STRAIN RELIEF BUSHING
7	3022220	TIE-DOWN WELDMENT
8	3024289	TROUGH ASSEMBLY, SHPE
9	3035920	HOPPER POLY 2 CU YD
10	3036561	CROSS MEMBER WELDMENT
11	3036572	MOUNT, VIBRATOR
12	3036809	SCREW HHC-1/2-13 X 6.0 ZINC
13	3046694	PLATE, VIBRATOR
14	3050476	REMOTE GREASE KIT SHPE, NYLON TUBE
15	3050550	DEFLECTOR
16	9240132	DECAL #2, DANGER BEFORE SVCE
17	FCS025020075SS	SCREW, CAP 1/4-20 X 3/4 SST
18	FCS038016075SS	SCREW, HHC-3/8-16 X 3/4 SST
19	FNE050013053	NUT, NYLOCK, 1/2-13, GR A, ZN
20	FNE038016044SS	NUT, NYLOCK 3/8-16 X 7/16 SST
21	FWF050106010	WASHER, FLAT, 1/2 X 1.062 X .095, ZN
22	FWL025050006SS	WASHER, 1/4 IN. SPRING LOCK SST
23	FWL038069009SS	WASHER, LOCK RHS-3/8 SST

HOPPER ASSEMBLY

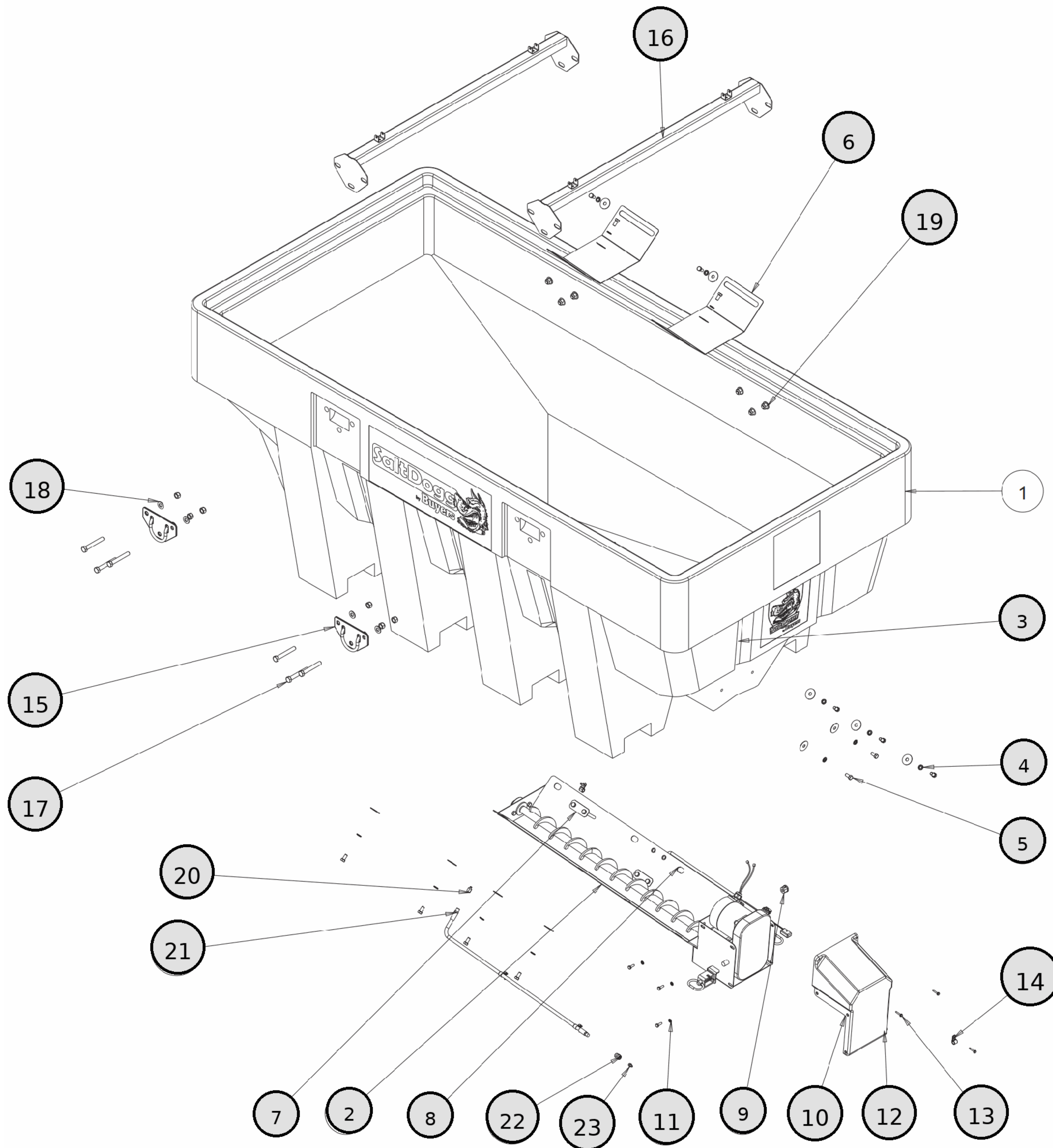
SHPE2000



REF	PN	DESCRIPTION
OPT	LS6	SALTDogg® 12 VDC PRE-WET KIT WITH ONE 30-GALLON POLY V-BOX MOUNT RESERVOIR FOR SHPE SERIES SPREADERS
2	3025070	REPLACEMENT STANDARD LENGTH CHUTE ASSEMBLY FOR SALTDogg® SHPE SERIES SPREADERS
3	3008390	REPLACEMENT TOP SCREEN FOR SALTDogg® SHPE2000 SPREADER
4	9240132	DECAL #2,DANGER BEFORE SVCE
5	3012898	DECAL, CHECK STRAPS
6	66050	ZINC-PLATED SNAPPER PINS
7	3022355	LABEL SERIAL NUMBER SHPE2000
9	3007527	EXTENDED LENGTH POLY CHUTE ASSEMBLY FOR SALTDogg® SHPE SERIES SPREADERS
11	3014199	REPLACEMENT VARIABLE SPEED CONTROLLER FOR SALTDogg® SHPE SERIES SPREADERS
11	3021616	REPLACEMENT CONTROLLER ROCKER SWITCH FOR 3014199 AND 3011864
12	3006724	REPLACEMENT MAIN WIRE HARNESS FOR SALTDogg® SHPE 0750-2000 SERIES SPREADERS
13	3035936	KIT POWER CABLE REPLACES 3006842
13A	3035933	POWER CABLE, CONTROL BOX
13C	3001379	CABLE, BATTERY RED 14IN LENGTH
14	1496505	4 PIECE SPREADER TIE DOWN KIT FOR SALTDogg® SPREADER
15	3008838	REPLACEMENT TARP FOR SALTDogg® SHPE2000 SPREADER
16	TS31	RUBBER TARP STRAP
17	9225	S-HOOK
18	3017979	DECAL, MULTIPLE PATENTS PENDING

MAIN ASSEMBLY (OLD DESIGN)

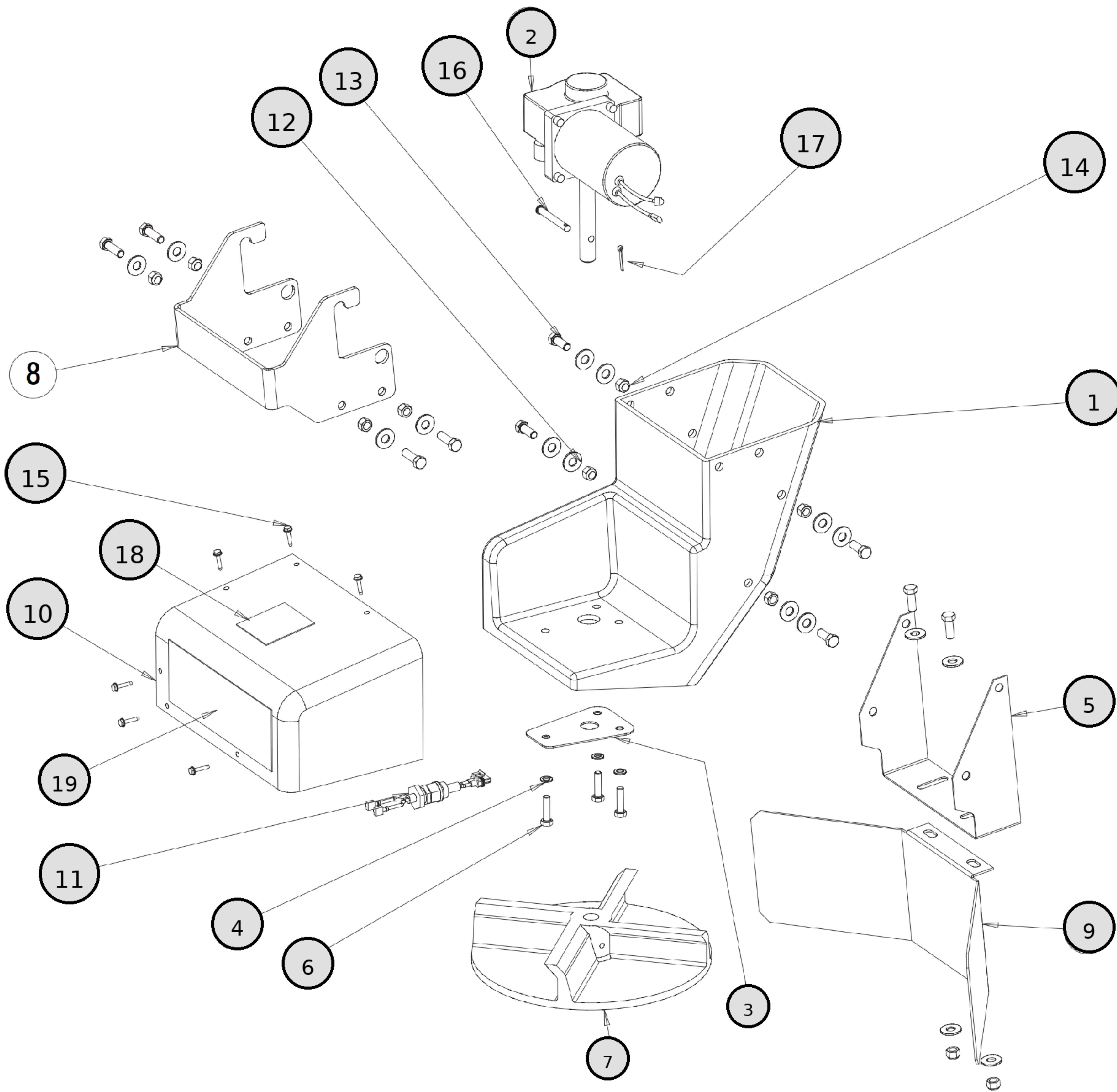
SHPE2000



REF	PN	DESCRIPTION
2	3011865	TROUGH, AUGER ASSEMBLY, SHPE
3	3007115	WASHER,FENDER,3/8IN, 1.5IN OD X .062 SST
4	FWL031058008SS	WASHER,SPLIT LOCK,5/16IN,SST
5	FCS031018063SS	SCREW,CAP-5/16IN-18 X 5/8IN,
6	3006959	BAFFLE,SHPE1500
7	3007731	BRACKET,VIBRATOR LONG SST
8	FNE038016044SS	NUT-NYLOCK, 3/8-16 X 7/16 THK,SST
9	3007821	BUSHING, STRAIN RELIEF
10	3007236	COVER,GEARMOTOR,SHPE
11	FWL025050006SS	WASHER,SPLIT LOCK,1/4IN,SST
12	FWF038100007SS	WASHER-FLAT USS, 3/8IN, SST
13	3007522	SCREW,SHEET METAL #12 X 1.0IN HEX WASHER
14	4375	CLAMP,HOSE .4375, 9/32 HOLE
15	3022220	TIE-DOWN WELDMENT FINISH BLK POWDER
16	3022230	CROSS MEMBER, FINISHED WELDMENT
17	3005140	SCREW,HEX HD CAP,1/2-13X3.5 GR 5,ZINC
18	FWF050106010	WASHER FLAT 1/2IN SAE, ZINC
19	FNE050013053	SAM BULK CUTTING EDGE NUTS AND BOLTS TO FIT FISHER® SNOW PLOWS
20	3020713	CONNECTOR, MALE, FEMALE, GREASE
21	3022955	HOSE GREASE 1/8 NPT MALE/MALE 36 IN LONG
22	H3309X2	COUPLING 1/8 INCH
23	800	NPT GREASE FITTINGS

HOPPER ASSEMBLY (OLD DESIGN)

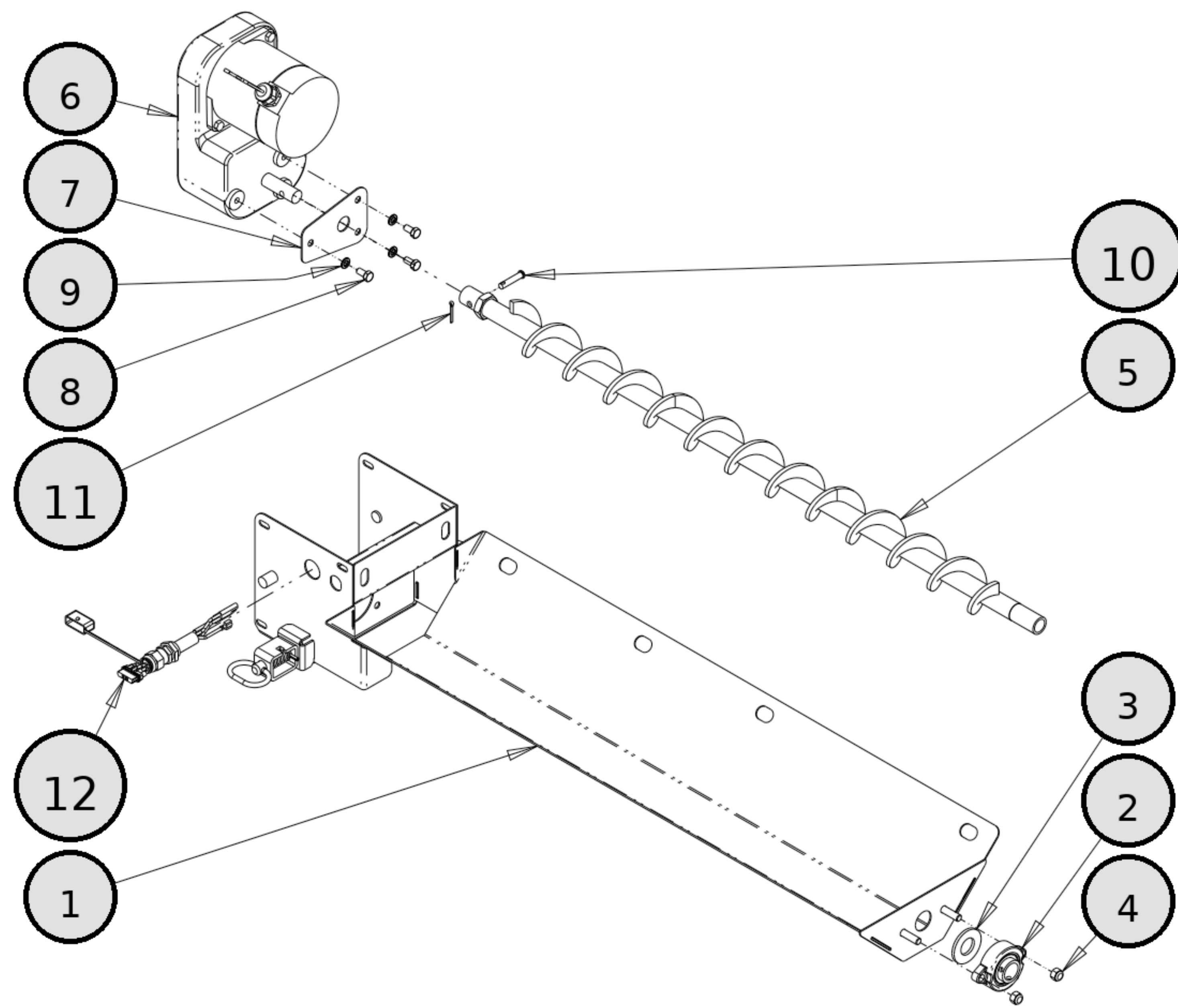
SHPE2000



REF	PN	DESCRIPTION
1	3007329	CHUTE,POLY,STD,SHPE1500,2000,750 SERVICE
2	3006833	REPLACEMENT EXTENDED CHUTE SPINNER GEAR MOTOR FOR SALTDogg® SHPE SERIES SPREADERS
2	3012431	REPLACEMENT SPINNER MOTOR FOR SALTDogg® SHPE SERIES SPREADERS
2	3054941	REPAIR PIGTAIL, SHPE SPINNER MOTOR
3	3007824	RETAINER GEARMOTOR, CHUTE
4	FWL031058008SS	WASHER,SPLIT LOCK,5/16IN,SST
5	3007564	BRACKET, SHIELD,SST, SALT DOGG
6	FCS031018063SS	SCREW,CAP-5/16IN-18 X 5/8IN,
7	3012393	REPLACEMENT 14 INCH CW POLY SPINNER FOR SALTDogg® SPREADER
9	3007004	SHIELD,SPINNER,SST,SHPE1500
10	3007413	REPLACEMENT GEAR MOTOR COVER FOR SALTDogg® SPREADER CHUTES
11	3006753	REPLACEMENT WIRE HARNESS FOR SALTDogg® SHPE1500 AND TG SPREADERS
12	FWF038100007SS	WASHER-FLAT USS, 3/8IN, SST
13	FCS038016100SS	SCREW CAP-3/8IN-16 X 1IN, HEX HEAD, SST
14	FNE038016044SS	NUT-NYLOCK, 3/8-16 X 7/16 THK,SST
15	3007522	SCREW,SHEET METAL #12 X 1.0IN HEX WASHER
16	3007113	CLEVIS PIN WITH 5/16 INCH DIAMETER AND 2-1/2 INCH LENGTH
17	FPC013000100	COTTER PIN 1/8IN X 1IN ZN
18	3002631	LABEL, NO STEP
19	3007844	DECAL,DANGER STAY CLEAR FOR POLY CHUTES

CHUTE ASSEMBLY, PRE-2014

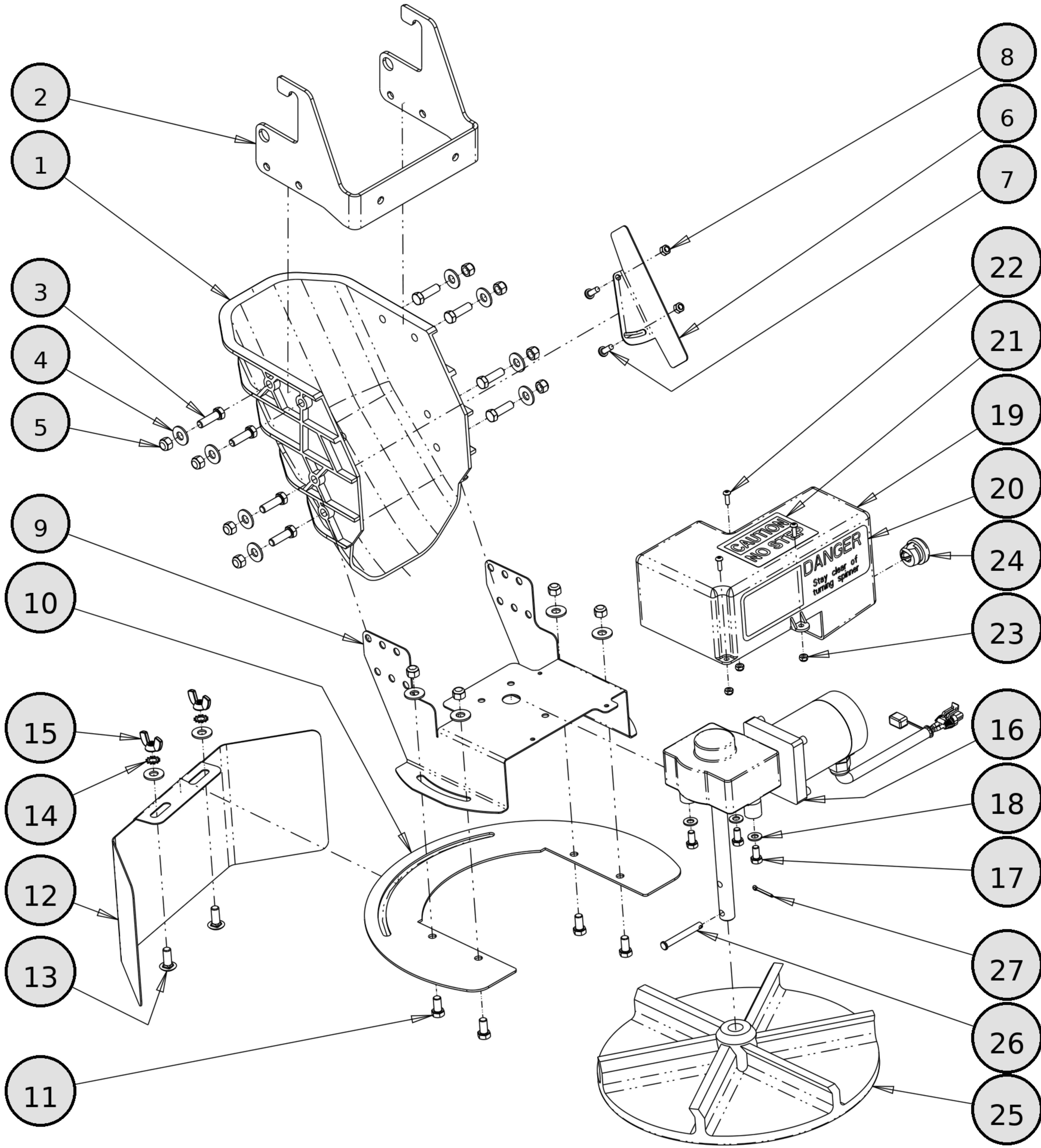
SHPE2000 / SHPE1500 / SHPE1000 / SHPE0750



REF	PN	DESCRIPTION
-	3011865	TROUGH ASSEMBLY, SHPE0750
-	3024289	TROUGH ASSEMBLY, SHPE
1	3007357	TROUGH WELDMENT, SHPE0750
1	3024290	TROUGH WELDMENT, SHPE
2	3018919	AUGER BEARING, SST
3	3007000	FELT BEARING GASKET
4	FNE038016044SS	NUT, NYLOCK 3/8IN-16 X 7/16IN SST
5	3018007	AUGER
6	3009995	AUGER GEARMOTOR
6	3019085	MOTOR ONLY
7	3007824	GEARMOTOR RETAINER
8	FCS031018063SS	SCREW, HHC 5/16IN-18 X 5/8IN SST
9	FWL031058008SS	WASHER, SPLIT LOCK 5/16IN SST
10	FPY031000150	PIN, CLEVIS, 5/16IN X 1-1/2IN ZN
11	3014994	COTTER PIN, 1/8IN X 1IN SST
12	3006844	WIRE HARNESS

TROUGH ASSEMBLY

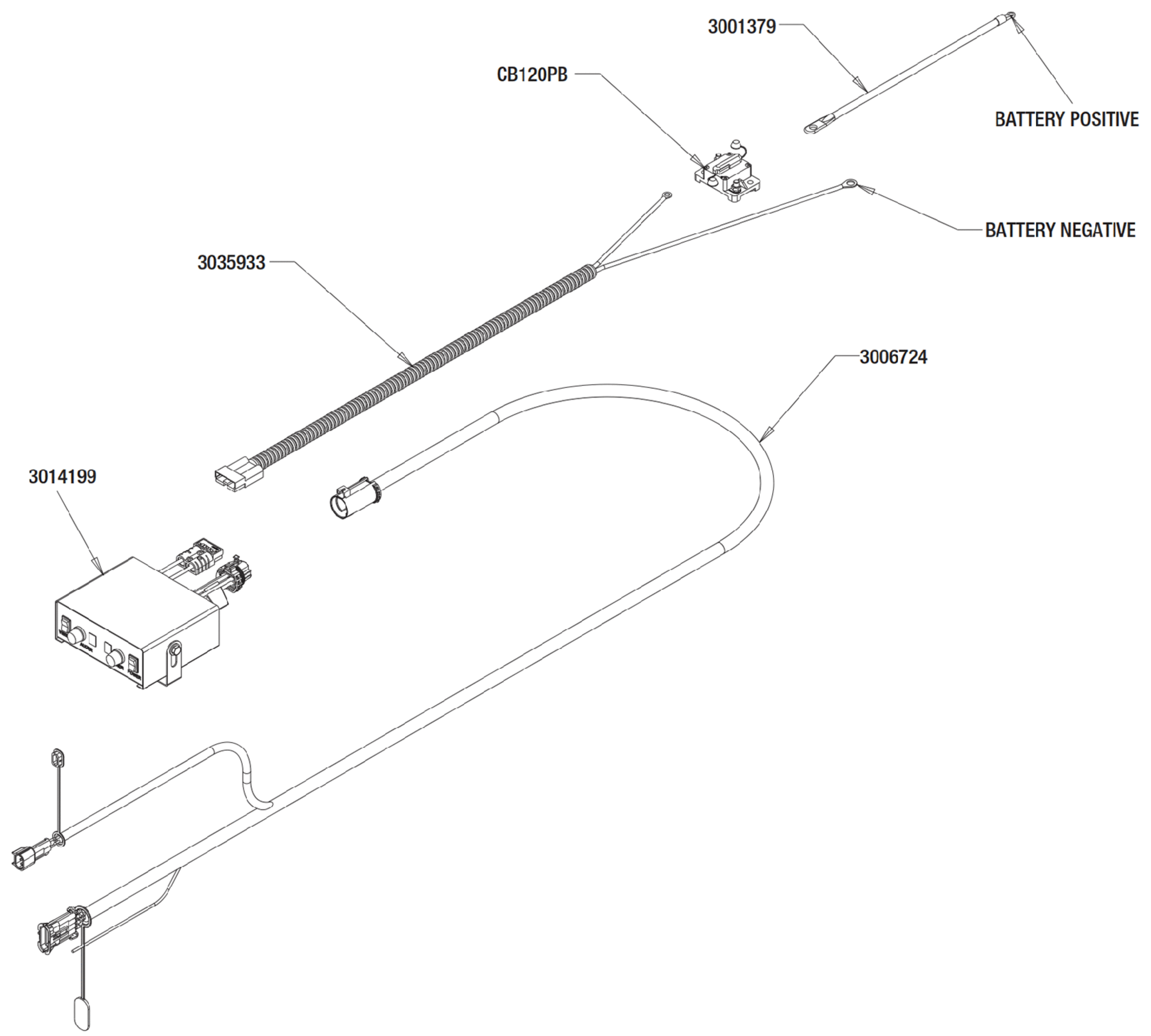
SHPE2000 / SHPE1500 / SHPE1000 / SHPE0750 / SHPE0400



REF	PN	DESCRIPTION
1	3025063	CHUTE POLY SHPE STD LENGTH
1	3028475	CHUTE, POLY, SHPE0400
2	3027699	HANDLE, CHUTE
3	FCS038016125SS	SCREW, HHC 3/8IN-16 X 1-1/4IN SST
4	FWF038100007SS	WASHER, FLAT 3/8IN USS SST
5	FNE038016044SS	NUT, NYLOCK 3/8IN-16 X 7/16IN SST
6	3039828	GUIDE, MATERIAL
7	3009646	SCREW, PAN 1/4IN-20 X 3/4IN SST
8	FNE025020031SS	NUT, NYLOCK 1/4IN-20 SST
9	3025715	BRACKET, GEAR MOTOR / SHIELD
10	3033547	BRACKET, SHIELD
11	FCS038016075SS	SCREW, HHC 3/8IN-16 X 3/4IN SST
12	3017444	SHIELD, CHUTE
13	3014960	BOLT, CARRIAGE 3/8IN-16 X 1 SST
14	3017356	WASHER, LOCK 3/8IN SST
15	3025064	NUT, WING 3/8IN-16 SST
16	3027293	GEAR MOTOR 12 VDC SPINNER
17	FCS031018063SS	SCREW, HHC 5/16IN-18 X 5/8IN SST
18	FWF031075006SS	WASHER, FLAT 5/16IN SST
19	3025067	ENCLOSURE, GEAR MOTOR
20	3007844	DECAL, DANGER STAY CLEAR
21	3002631	LABEL, "NO STEP"
22	3001537	SCREW, BHC 10-24 X 5/8IN SST
23	FNE010024024SS	NUT, NYLOCK 10-24 SST
24	3025065	BUSHING, CABLE STRAIN RELIEF
25	3012393	SPINNER, 14IN POLY CW
26	3007113	PIN, CLEVIS, 5/16IN X 2-1/2IN ZN
27	3014994	COTTER PIN, 1/8IN X 1IN SST

CHUTE ASSEMBLY

SHPE2000 / SHPE1500 / SHPE1000 / SHPE0750 / SHPE0400



REF	PN	DESCRIPTION
-	3001379	CABLE, BATTERY RED 14IN LENGTH
-	3006724	REPLACEMENT MAIN WIRE HARNESS FOR SALTDogg® SHPE 0750-2000 SERIES SPREADERS
-	3014199	REPLACEMENT VARIABLE SPEED CONTROLLER FOR SALTDogg® SHPE SERIES SPREADERS
-	3021616	REPLACEMENT ROCKER SWITCH, POWER/VIBRATOR, 3014199 W/ROCKET SWITCHES
-	3024022	REPLACEMENT CONTROLLER BRACKET
-	3035933	POWER CABLE, CONTROL BOX
-	3035936	KIT POWER CABLE REPLACES 3006842
-	3054939	REPAIR PIGTAIL, SHPE AUGER/VIBRATOR CONNECTOR, HARNESS SIDE
-	3054940	REPAIR PIGTAIL, SHPE SPINNER, HARNESS SIDE
-	3055980	REPLACEMENT PUSH BUTTON, POWER/VIBRATOR, 3014199/3011864 WITH PUSH BUTTONS
-	3058280	CONTROLLER/HARNESS KIT (BUCKET) SHPE
-	CB120PB	CIRCUIT BREAKER, 120A

SHPE CONTROL WIRING

SHPE2000 / SHPE1500 / SHPE1000 / SHPE0750 / SHPE0400